

# Sea Mine Fuze Upgrade System



## Overview

Teledyne offers the COEUS Marine Fuze as the latest and smartest generation of Fuze technology for sea mines and maritime applications.

Based on Teledyne's heritage of High Reliability Safety and Arming Technology, COEUS supports the Safe Arming and Initiation of Maritime, Aerospace and Land based weapons systems.

Key features include a fully programmable MCU memory module, additional power packs for extended use, on-off systems, auxiliary inputs, trigger timing controls and self-testing.

Designed to meet the latest STANAG and DEF-STAN requirements and with a conscious vision towards future requirements.

The design expands on the already proven and established EFI technology used extensively by Teledyne.

The COEUS series of products provide a common platform for integrating future surveillance and defence technology without continual product replacement, reducing costs in any end users asset life management activity.

## Features at a Glance

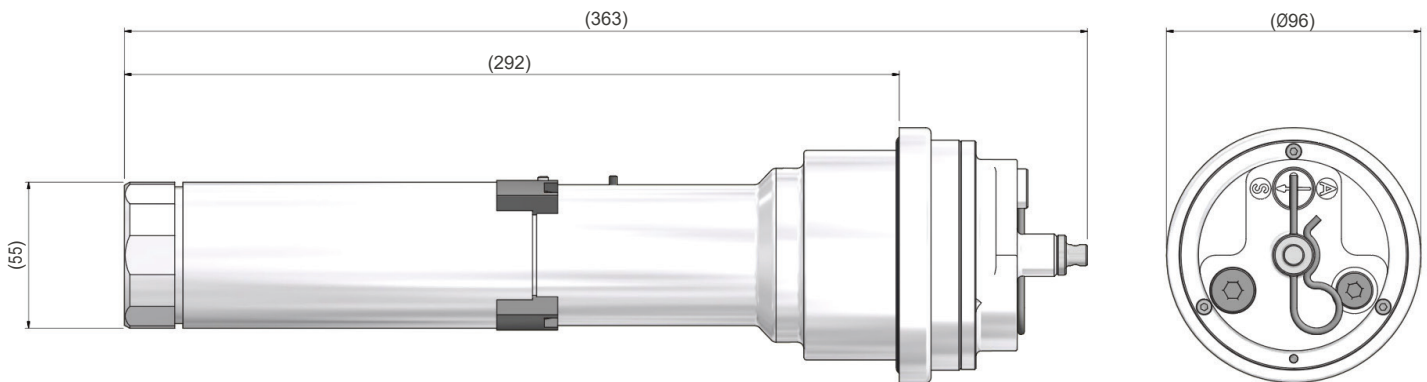
- EFI technology offers no ESD issues and reduced risk in operational handling
- Offers fully controlled arming and deactivation
- Designed to meet both MIL-1316E and MIL-STD- 331C
- Utilises low Energy EFI (LEEFI) Technology
- European design and sourced materials (ITAR FREE)
- Modular components for ease of maintenance
- Insensitive Munition (IM) compliant technology
- Extremely robust to both mechanical shock and electro-magnetic pulse
- Low cost component replacement modules

## Typical Applications

- Sea Mines
- Seabed literal waters
- Coastal Defence
- Limpet Mines
- Compact ASW

## General Data

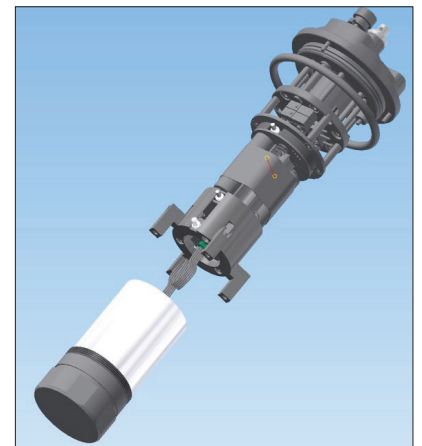
### Mechanical Outline



### Electrical Characteristics

Overall Diameter (excluding connections)	97mm nom	Power (without battery)	1.4A (peak)
Net Weight	1.22kg approx.	ESD Tested	25kV
Pyrotechnic Output	60mg PBX-N5	Operating Temperature (Marine)	-5°C / +71°C
Detonator Type	LEEFI	Storage Temperature	-55°C / +85°C
Firing Time	Less than 50ms		

For further details on this product or to arrange a presentation of Teledyne Energetics full portfolio of products, please contact: [teledyne-e2v.com/RF](http://teledyne-e2v.com/RF)



## ABOUT US

Teledyne Energetics (UK), a division of Teledyne Defence Electronics, is a market leader in design and development of electronic safety and initiation technology. Delivering products that are integrated into defence and aerospace platforms around the world.