

Electronic Ignition Safety Device

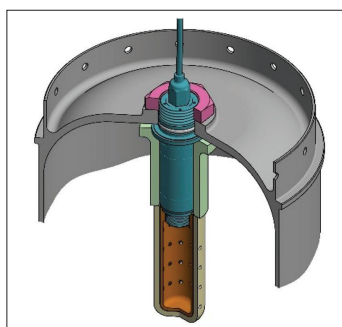


Overview

Teledyne offers an Initiation Safety Device (ISD), as the latest generation of rocket motor initiator, designed to meet the latest STANAG and MIL-STD requirements and with a conscious vision towards future requirements.

Based on Teledyne's heritage of EFI technology the ISD utilises direct ignition of a BKNO₃ pellet from the EFI without the use of intermediate explosives.

The compact design and specialist adapter threading allows for termination into both existing and new applications.



Features at a Glance

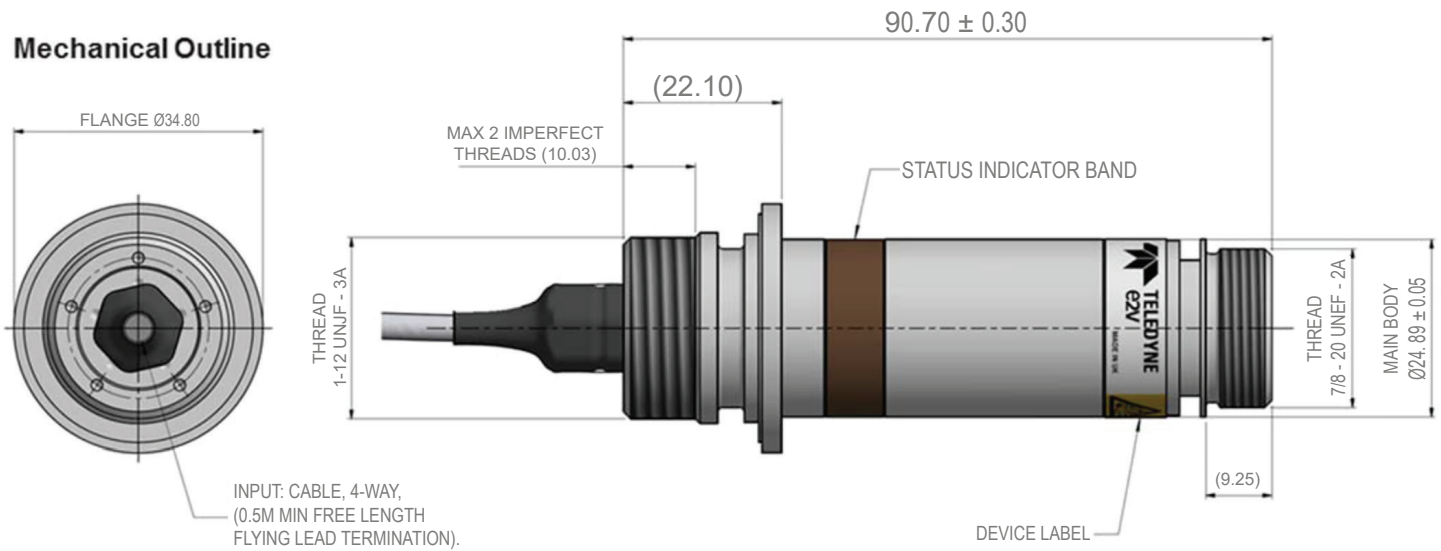
- No moving mechanical components
- No Explosive Content
- Designed to meet MIL-STD-1901A
- Compliance with STANAG 4560 and STANAG 4170
- European design and sourced materials (ITAR FREE)
- Based on proven EFI technology
- Critical and accurate timing control
- Extremely robust to both mechanical shock and electro-magnetic pulse
- Designed to reduce shock transference to vessel motor structure

Typical Applications

- Air-to-air Missiles
- Surface-to-air Missiles
- Air-to-ground Missiles
- Surface-to-surface Missiles

General Data

Mechanical Outline



Electrical Characteristics

Overall Diameter (excluding connections)	34.8mm nom	Time to Peak Pressure	40ms max
Net Weight	250g approx.	Maximum Interface Temperature (motor burn)	+250°C
Pyrotechnic Output	260mg BKNO ₃	Operating Temperature	-46°C / +71°C
Peak Output Pressure	20 to 45Bar into 20cc	Storage Temperature	-55°C / +85°C
<1A over Wide Operating Voltage Range	24 to 34V		

For further details on this product or to arrange a presentation of Teledyne Energetics full portfolio of products, please contact: teledyne-e2v.com/RF

ABOUT US

Teledyne Energetics (UK), a division of Teledyne Defence Electronics, is a market leader in design and development of electronic safety and initiation technology. Delivering products that are integrated into defence and aerospace platforms around the world.