

Flight Termination & Break-up Units (FTU)



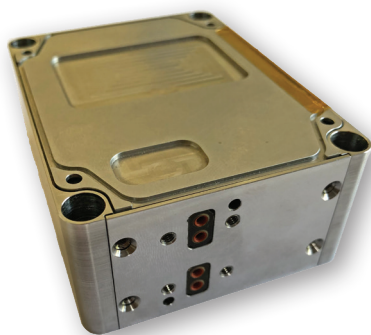
Overview

Teledyne offers to the market the flight termination and self detonation units, designed to meet the latest STANAG and DEF-STAN requirements with a conscious vision towards future requirements.

Based on Teledyne's proven pedigree and heritage of technology, the Telemetry Breakup System (TBUS) designs utilise our RP Series EBW range with integrated and removable cable components for safe storage.

Variants offer a single output system, or dual channel capable of firing two detonators.

Designs are fully encapsulated to survive shock, multi-axis vibration and humidity regularly encountered during field deployment of SAMs and Rockets.



Features at a Glance

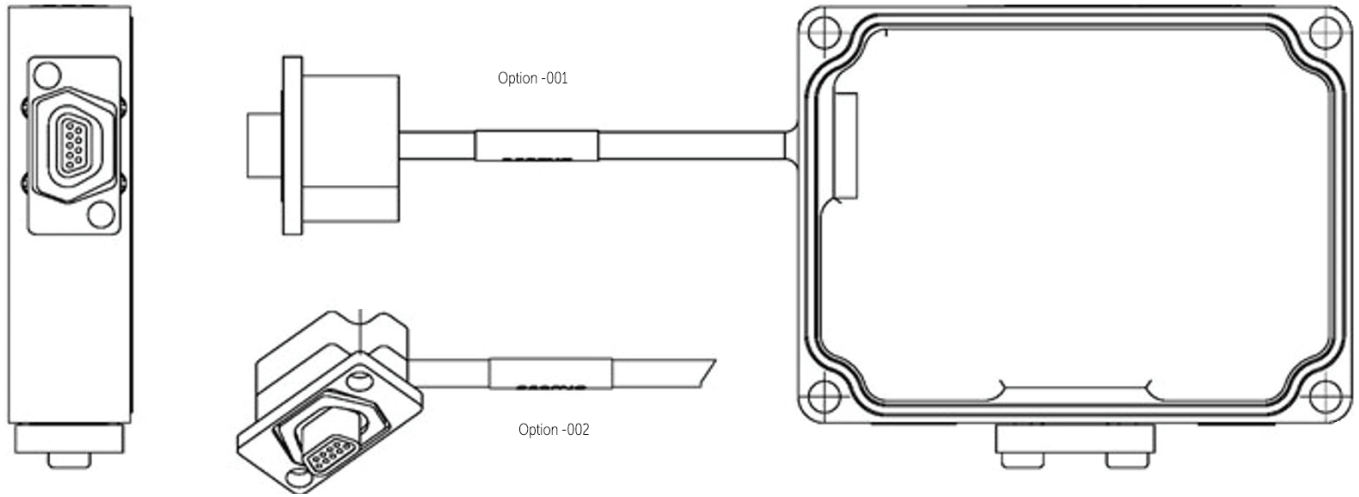
- No moving mechanical components
- Proven pedigree and heritage in flight termination systems
- Designs meet STANAG 4560 and STANAG 4170
- Compliance with MIL-STD-1512, MIL-STD1316E, MIL-STD-331C, DEF STAN 07-85 and DEFSTAN 59-114
- European design and sourced materials (ITAR FREE)
- Designed to integrate with Teledyne RP detonator cables and appropriately designed cutting rings
- Critical and accurate timing control
- Extremely robust to both mechanical shock and electro-magnetic pulse

Typical Applications

- Air-to-Air Missiles
- Air-to-Ground Missiles
- Surface-to-Surface Missiles
- Surface-to-Air Missiles and Rockets

General Data

Mechanical Outline



Electrical Characteristics

Overall Dimensions (excluding connections)	As detailed	Charge Time to Fire	less than 50ms
Net Weight	0.165g approx.	Pyrotechnic Output Energy	0.45J
Pyrotechnic Output	Initiates RP80 & RP800 EBWs	Operating Temperature	-54°C / +85°C
Operating Altitude	Rated to 70,000 ft	Storage Temperature	-55°C / +85°C

For further details on this product or to arrange a presentation of Teledyne Energetics full portfolio of products, contact us.

ABOUT US

Teledyne Energetics UK, a division of Teledyne Defence Electronics, is a market leader in design and development of electronic safety and initiation technology. We deliver products that are integrated into defence and aerospace platforms around the world.